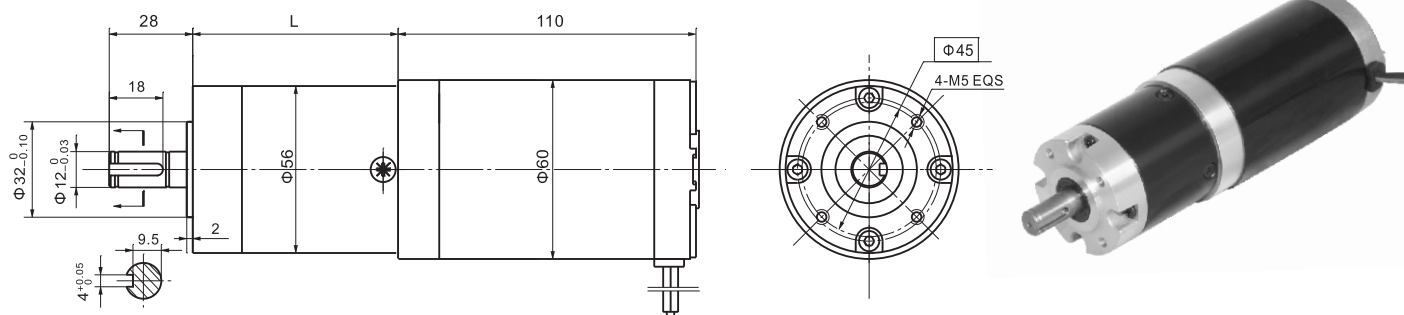


永磁直行星齿轮电机 PM DC Planetary Gear Motor

56JX300K/60ZY105

Φ56加强型减速器, 允许转矩范围: 2N.m~30N.m
56mm OD Reinforced Gearbox,
Permissible Load Range: 2N.m~30N.m

● 外形和安装尺寸 Dimensions



● 电动机主要技术参数 Motor Technical Data

电机型号 Type	额定电压 Rated voltage VDC	空载转速 No-load speed r/min	空载电流 No-load current A	额定转速 Rated speed r/min	额定转矩 Rated torque N.m	输出功率 Output power W	额定电流 Rated current A	堵转转矩 Stall torque N.m	堵转电流 Stall current A
60ZY105-1220	12	2000	0.40	1500	0.125	22	1.6	0.55	5.5
60ZY105-2430	24	3000	0.45	2500	0.125	25	2.0	0.65	8.0
60ZY105-2450	24	5000	0.80	4500	0.155	70	5.0	0.92	15

● 齿轮减速电机主要技术参数 Gear Motor Technical Data

配置60ZY105-2430直流电机 (60ZY105-2430 DC Motor)

减速比 Reduction ratio	3.6	4.25	13	15	18	47	55	65	76	168	198	234	276	326
减速级数 Number of gear trains	1	1	2	2	2	3	3	3	3	4	4	4	4	4
减速器长度(L) Length(L) mm	53	53	53	53	53	64	64	64	64	84	84	84	84	84
空载转速 No-load speed r/min	833	706	230	200	167	64	54	46	39	18	15	13	11	9
额定转速 Rated speed r/min	694	588	192	167	139	53	45	38	33	15	12	10	9	7.5
额定转矩 Rated torque N.m	0.41	0.48	1.3	1.5	1.8	4.3	5.0	5.9	6.9	14	16	19	22	26
最大瞬间允许负载 Max. permissible load in a short time N.m	6	6	25	25	25	50	50	50	50	90	90	90	90	90

配置60ZY105-2450直流电机 (60ZY105-2450 DC Motor)

减速比 Reduction ratio	3.6	4.25	13	15	18	47	55	65	76	168	198	234	276	326
减速级数 Number of gear trains	1	1	2	2	2	3	3	3	3	4	4	4	4	4
减速器长度(L) Length(L) mm	53	53	53	53	53	64	64	64	64	84	84	84	84	84
空载转速 No-load speed r/min	1389	1176	385	333	278	106	91	77	66	30	25	21	18	15
额定转速 Rated speed r/min	1250	1059	346	300	250	96	82	69	59	26	22	19	16	13
额定转矩 Rated torque N.m	0.50	0.59	1.6	1.9	2.3	5.3	6.2	7.3	8.6	17	20	24	28	30
最大瞬间允许负载 Max. permissible load in a short time N.m	6	6	25	25	25	50	50	50	50	90	90	90	90	90