

无刷直行星齿轮减速电机 BLDC Planetary Gear Motor

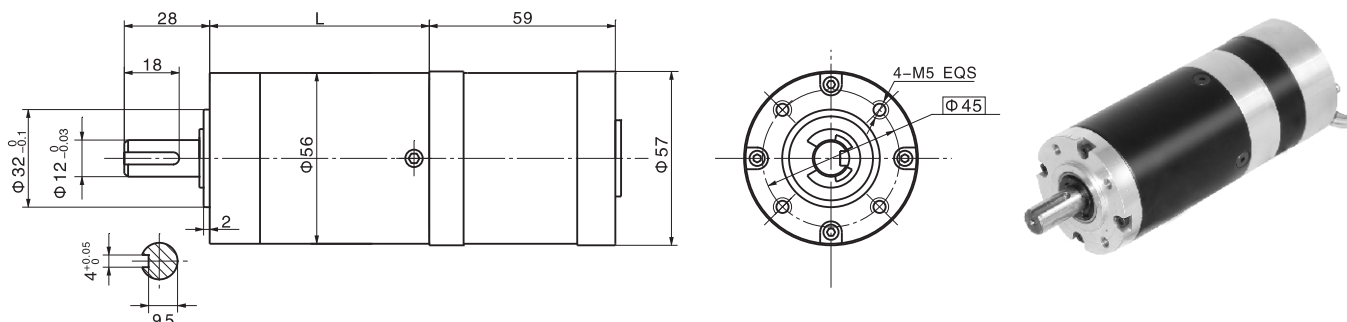
56JX200K/57ZWN55

Φ56标准型减速器, 允许转矩范围: 2N.m~20N.m
56mm OD Standard Gearbox, Permissible Load Range: 2N.m~20N.m

56JXG200K/57ZWN55

Φ56长寿命型减速器, 允许转矩范围: 2N.m~20N.m
56mm OD Long Life Gearbox, Permissible Load Range: 2N.m~20N.m

外形和安装尺寸 Dimensions



无刷电动机主要技术参数 Brushless Motor Technical Data

电机型号 Type	额定电压 Rated voltage VDC	空载转速 No-load speed r/min	空载电流 No-load current mA	额定转速 Rated speed r/min	额定转矩 Rated torque N.m	输出功率 Output power W	额定电流 Rated current A
57ZWN55-2420	24	2000	200	1300	0.085	10	1.2
57ZWN55-2430	24	3000	400	2250	0.110	25	2.0

无刷行星齿轮减速电机主要技术参数 Brushless Gear Motor Technical Data

配置57ZWN55-2420无刷直流电机 (57ZWN55-2420 BLDC Motor)

减速比 Reduction ratio	13	15	18	32	47	55	65	76	168	198	234	276	326
减速级数 Number of gear trains	2	2	2	2	3	3	3	3	4	4	4	4	4
减速器长度(L) Length(L) mm	45.8	45.8	45.8	45.8	57.1	57.1	57.1	57.1	68.4	68.4	68.4	68.4	68.4
空载转速 No-load speed r/min	154	133	111	63	43	36	31	26	12	10	8.5	7.2	6.1
额定转速 Rated speed r/min	100	87	72	41	28	24	20	17	7.7	6.6	5.6	4.7	4.0
额定转矩 Rated torque N.m	0.9	1.0	1.2	2.2	2.9	3.4	4.0	4.7	9.3	11	13	15	18
最大瞬间允许负载 Max. permissible load in a short time N.m	25	25	25	25	50	50	50	50	60	60	60	60	60

配置57ZWN55-2430无刷直流电机 (57ZWN55-2430 BLDC Motor)

减速比 Reduction ratio	3.6	4.25	13	15	18	32	47	55	65	76	168	198	234
减速级数 Number of gear trains	1	1	2	2	2	2	3	3	3	3	4	4	4
减速器长度(L) Length(L) mm	34.5	34.5	45.8	45.8	45.8	45.8	57.1	57.1	57.1	57.1	68.4	68.4	68.4
空载转速 No-load speed r/min	833	706	231	200	167	94	64	55	46	39	18	15	13
额定转速 Rated speed r/min	625	529	173	150	125	70	48	41	35	30	13	11	9.6
额定转矩 Rated torque N.m	0.4	0.4	1.2	1.3	1.6	2.9	3.8	4.4	5.2	6.1	12	14	17
最大瞬间允许负载 Max. permissible load in a short time N.m	6	6	25	25	25	25	50	50	50	50	60	60	60